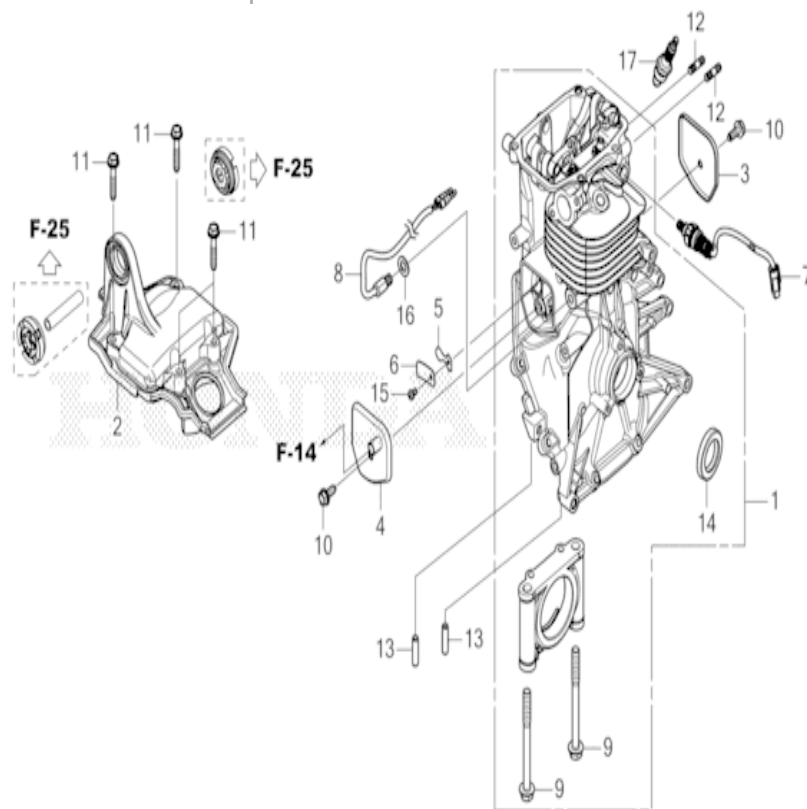


EU32I

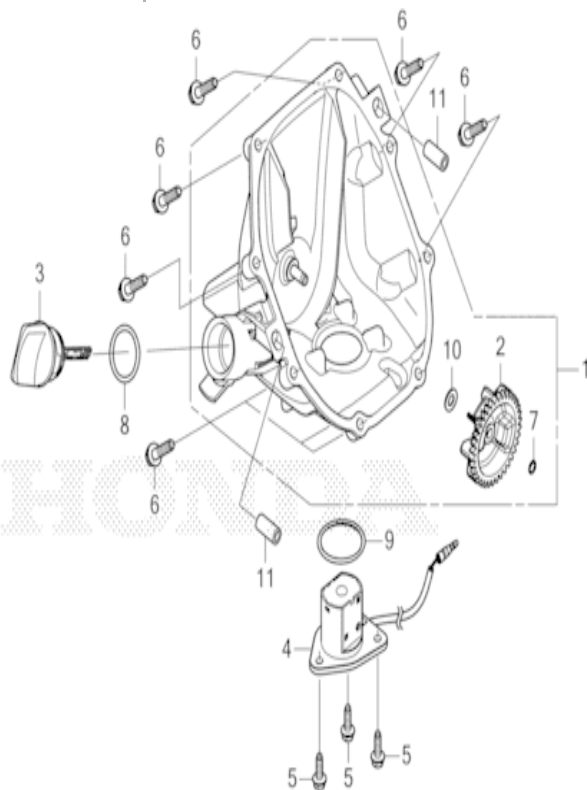
E-3 CYLINDER BARREL



Refnr	Part Number	Description	from	to	Unit Qty.	Order Qty.	Repair Qty.
1	12000-ZDY-415	BARREL ASSY., CYLINDER			001	0	0
2	12311-ZDY-000	COVER, HEAD			001	0	0
3	12355-ZDJ-D00	COVER COMP. A, BREATHER			001	0	0
4	12365-ZDY-000	COVER COMP. B, BREATHER			001	0	0
5	15571-ZM7-003	VALVE, OIL OUTLET			001	0	0
6	15572-ZM7-000	PLATE, STOPPER			001	0	0
7	35655-ZDY-D01	SENSOR, OXYGEN			001	0	0
8	35673-ZDY-A31	SENSOR ASSY., TEMPERATURE			001	0	0
9	90003-ZDY-000	BOLT, FLANGE, 8X90			002	0	0
10	90014-952-000	BOLT, FLANGE, 6X14 (CT200)			002	0	0
11	90017-883-000	BOLT, FLANGE, 6X32 (CT200)			004	0	0
12	90043-ZDY-000	BOLT, STUD, 6X18 (CT200)			002	0	0
13	90701-ZDY-000	DOWEL PIN, 6X22.5			002	0	0
14	91202-ZE6-013	OIL SEAL, 22X35X6			001	0	0
15	93500-03005-0A	SCREW, PAN, 3X5			001	0	0
16	94102-08800	WASHER, PLAIN, 8MM			001	0	0
17	98056-56777	PLUG, SPARK (CR6HSB)			001	0	0

EU32I

E-6 CRANKCASE COVER

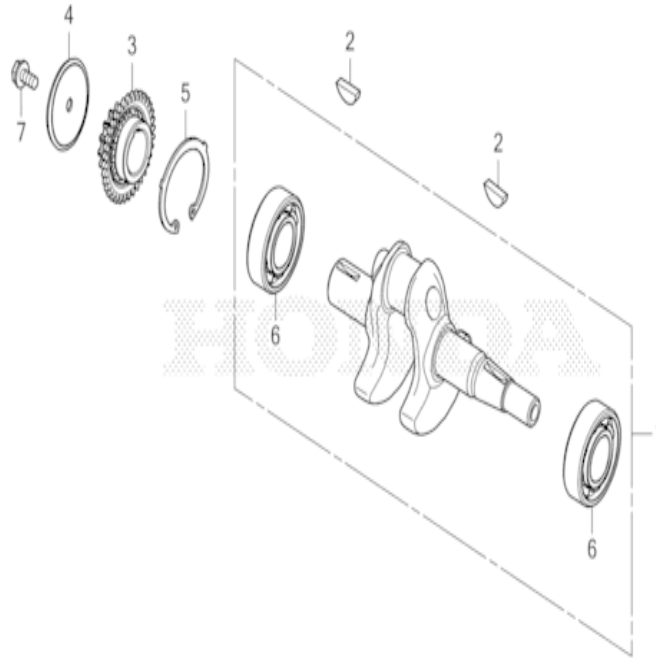


Z453E0600

Refnr	Part Number	Description	from	to	Unit Qty.	Order Qty.	Repair Qty.
1	11300-ZDY-405	COVER ASSY., CRANKCASE			001	0	0
2	15361-ZDY-000	SLINGER, OIL			001	0	0
3	15620-ZDY-000	CAP, OIL FILLER			001	0	0
4	35480-ZDY-003	SWITCH ASSY., OIL LEVEL			001	0	0
5	90012-ZM3-U30	BOLT, FLANGE, 5X14 (CT200)			003	0	0
6	90121-952-000	BOLT, FLANGE, 6X25 (CT200)			008	0	0
7	90602-ZE1-000	CLIP, GOVERNOR HOLDER			001	0	0
8	91301-ZDJ-D00	O-RING, 25.5X3			001	0	0
9	91301-ZM7-003	O-RING, 34.6X2.5			001	0	0
10	94101-06800	WASHER, PLAIN, 6MM			001	0	0
11	94301-08200	DOWEL PIN, 8X20			002	0	0

EU32I

E-7 CRANKSHAFT

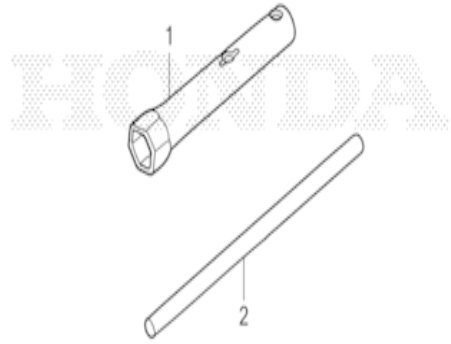


Z453E0700

<u>Refnr</u>	<u>Part Number</u>	<u>Description</u>	<u>from</u>	<u>to</u>	<u>Unit Qty.</u>	<u>Order Qty.</u>	<u>Repair Qty.</u>
1	13310-ZDY-000	CRANKSHAFT COMP.			001	0	0
2	13331-Z8B-900	KEY, SPECIAL WOODRUFF, 25X18			002	0	0
3	13620-ZDY-000	PULLEY COMP, TIMING BELT DRIVEN			001	0	0
4	13625-ZDY-000	GUIDE, TIMING BELT DRIVE			001	0	0
5	90601-ZDY-000	CIRCLIP, INTERNAL, 47			001	0	0
6	91001-ZDY-003	BEARING, BALL RADIAL, 6204			002	0	0
7	95701-06012-00	BOLT, FLANGE, 6X12			001	0	0

EU32I

F-32 TOOL

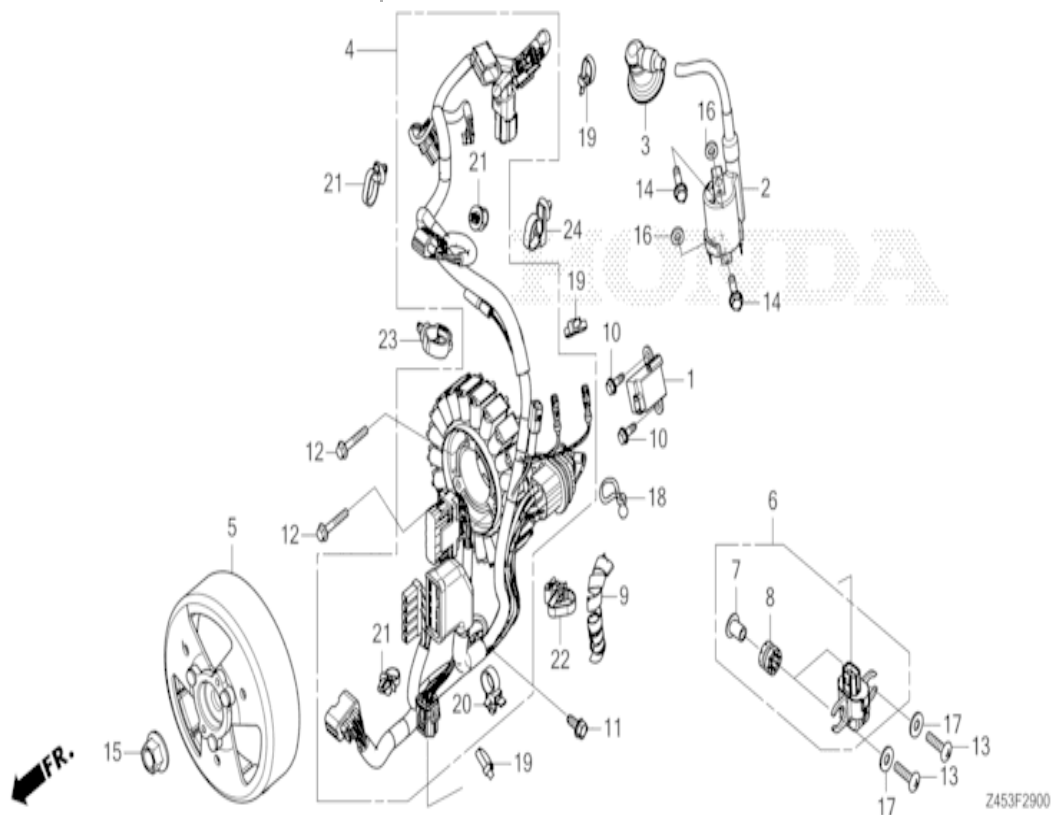


Z453F3200

Refnr	Part Number	Description	from	to	Unit Qty.	Order Qty.	Repair Qty.
1	89216-130-690	WRENCH, SPARK PLUG			001	0	0
2	89219-805-000	HANDLE, BOX WRENCH			001	0	0

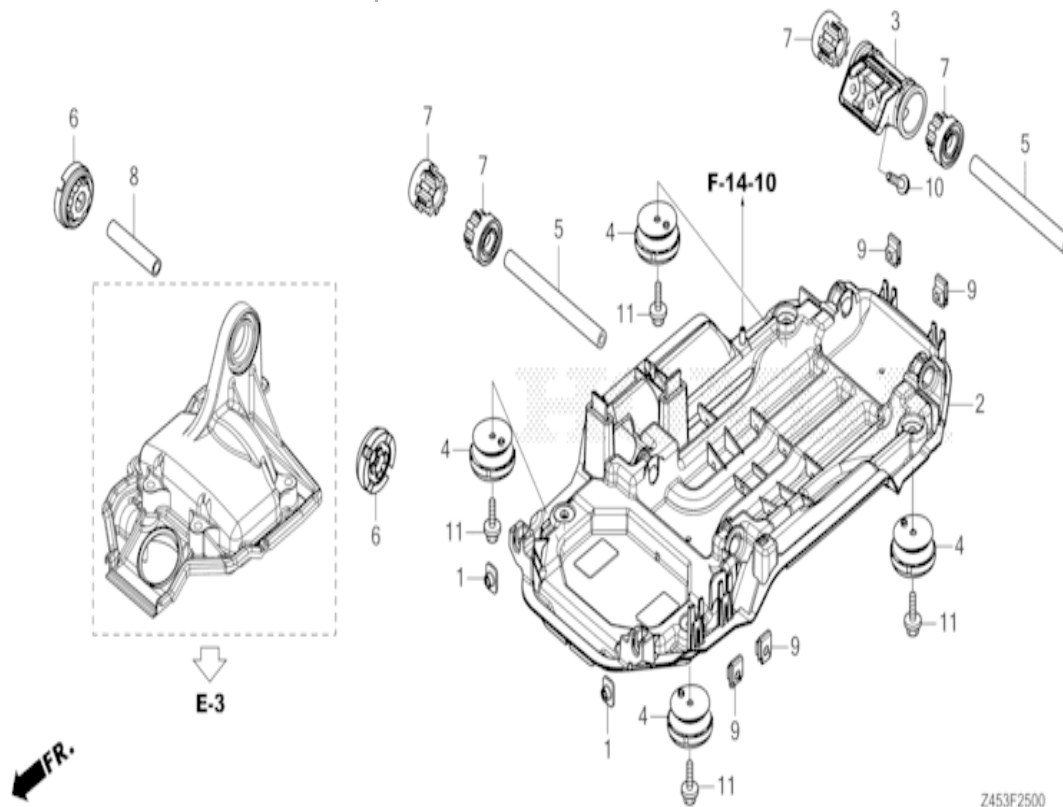
EU32I

F-29 ROTOR/STATOR



Refnr	Part Number	Description	from	to	Unit Qty	Order Qty	Repair Qty
1	30300-HA0-033	GENERATOR ASSY., PULSE (TEC)			001	0	0
2	30510-Z45-A32	COIL COMP., IGNITION			001	0	0
3	30700-Z45-A31	CAP ASSY., NOISE SUPPRESSOR			001	0	0
4	31120-Z45-A60	STATOR ASSY.		1023505	001	0	0
4	31120-Z45-A61	STATOR ASSY.	1023506		001	0	0
5	31130-Z45-000	ROTOR COMP.			001	0	0
6	35160-KRE-G01	SENSOR ASSY., BANK ANGLE			001	0	0
7	35162-KRE-G00	COLLAR			002	0	0
8	35163-KRE-G00	GROMMET			002	0	0
9	36105-ZW9-003	TUBE, SPIRAL B			001	0	0
10	90012-ZM3-U30	BOLT, FLANGE, 5X14 (CT200)			002	0	0
11	90014-952-000	BOLT, FLANGE, 6X14 (CT200)			001	0	0
12	90101-Z07-000	BOLT, FLANGE, 5X32 (CT200)			003	0	0
13	90114-GB4-810	SCREW, 6X25			002	0	0
14	90121-952-000	BOLT, FLANGE, 6X25 (CT200)			002	0	0
15	90301-Z45-003	NUT, FLANGE, 14MM			001	0	0
16	90401-ZA0-000	WASHER, PLAIN, 6.5X15			002	0	0
17	90402-ZG3-880	WASHER, PLAIN, 7MM			002	0	0
18	90630-751-000	CLIP, PURSE LOCK			001	0	0
19	90652-ZY9-003	BAND, WIRE HARNESS			003	0	0
20	91507-P01-003	CLIP B, HARNESS BAND (DARK BROWN) (129.4MM)			001	0	0
21	91541-S0A-003	CLIP, HARNESS BAND (BLACK) (145MM)			003	0	0
22	91549-TA0-003	CLIP, HARNESS BAND (BLACK) (140.3MM)			001	0	0
23	91558-SD5-003	CLIP, WIRE HARNESS (BLACK)			001	0	0
24	91577-SFE-003	BAND, HARNESS OFFSET (10) (BLUE) (122.5MM) (WITH SEAL)			001	0	0

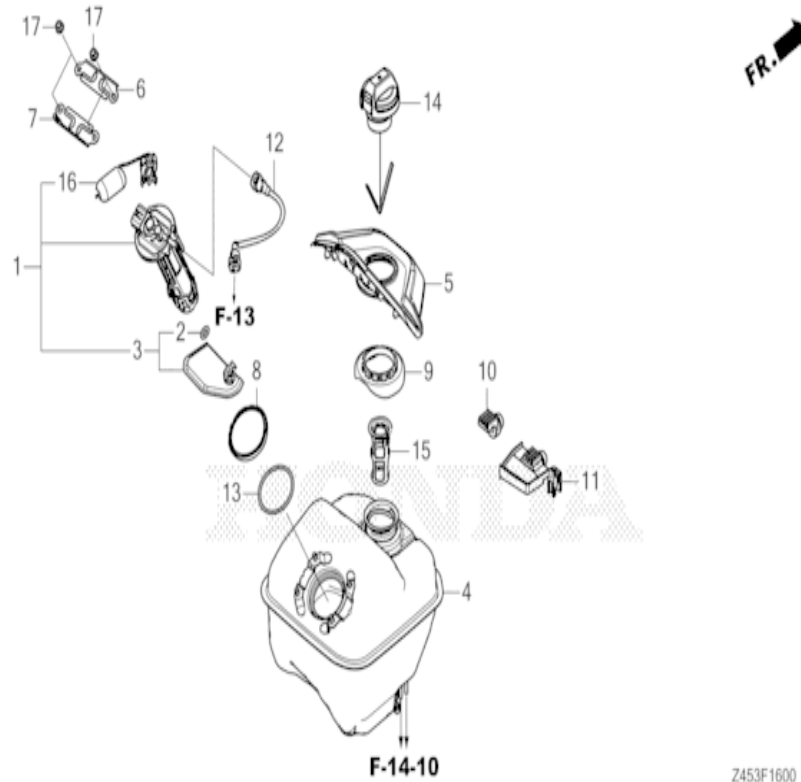
EU32I
F-25 BASE FRAME



Refnr	Part Number	Description	from	to	Unit Qty.	Order Qty.	Repair Qty.
1	61304-HB3-003	NUT, SPECIAL, 6MM			002	0	0
2	63710-Z45-000	FRAME COMP., BASE			001	0	0
3	68322-Z45-000	BRACKET, ENGINE MOUNT			001	0	0
4	68325-Z45-000	MOUNT, BOTTOM			004	0	0
5	68333-Z45-000	COLLAR A, INSULATOR			002	0	0
6	68335-Z45-000	MOUNT, UPPER ENGINE			002	0	0
7	68338-Z45-000	MOUNT, LOWER ENGINE			004	0	0
8	68339-Z45-000	COLLAR B, INSULATOR			001	0	0
9	84601-HA7-670	NUT, FENDER SETTING			004	0	0
10	90121-952-000	BOLT, FLANGE, 6X25 (CT200)			002	0	0
11	95701-06010-08	BOLT, FLANGE, 6X10			004	0	0

EU32I

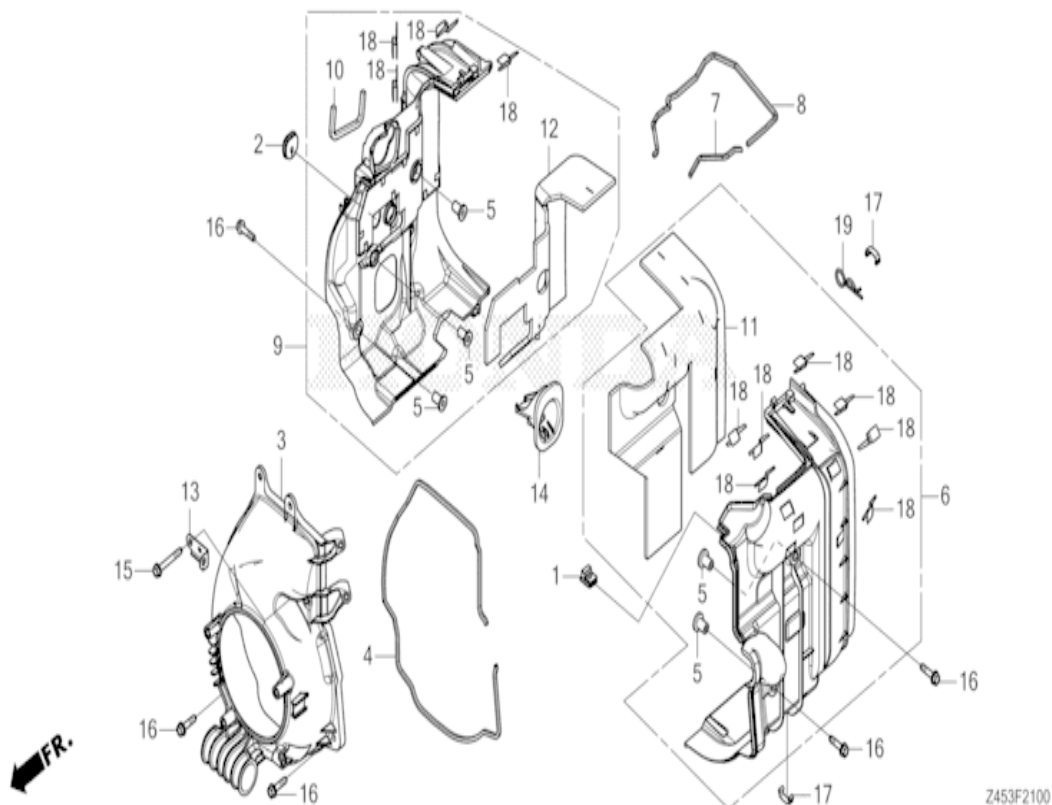
F-16 FUEL TANK



Refnr	Part Number	Description	from	to	Unit Qty.	Order Qty.	Repair Qty.
1	16700-Z45-003	PUMP ASSY., FUEL			001	0	0
2	16706-GGL-J01	O-RING, 6.8X1.9			001	0	0
3	16707-Z45-003	FILTER SET			001	0	0
4	17510-Z45-000	TANK COMP., FUEL			001	0	0
5	17514-Z45-000	SEAL, FUEL FILLER NECK			001	0	0
6	17517-GGL-J00	RETAINER, FUEL PUMP			001	0	0
7	17517-Z45-000	RETAINER, FUEL PUMP			001	0	0
8	17518-GHB-601	SEAL, DUST (OHTUKA POLY-TECH)			001	0	0
9	17532-Z45-000	RUBBER, FUEL FILLER			001	0	0
10	17533-Z45-000	RUBBER A, TANK MOUNT LOWER			001	0	0
11	17534-Z45-000	RUBBER B, TANK MOUNT LOWER			001	0	0
12	17550-Z45-003	HOSE COMP., FUEL FEED			001	0	0
13	17572-Z37-000	O-RING, FUEL PUMP			001	0	0
14	17620-Z45-003	CAP COMP., FUEL FILLER			001	0	0
15	17670-Z45-000	FILTER COMP., FUEL			001	0	0
16	37800-Z45-003	FUEL UNIT			001	0	0
17	94050-06080	NUT, FLANGE, 6MM			004	0	0

EU32I

F-21 FAN COVER/SHROUD

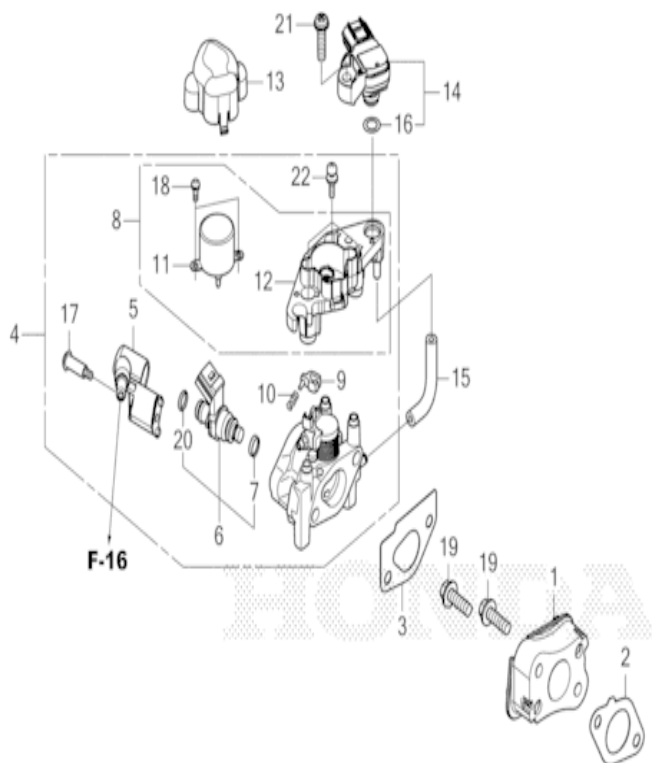


Z453F2100

Refnr	Part Number	Description	from	to	Unit Qty.	Order Qty.	Repair Qty.
1	15521-Z45-000	GROMMET, OXYGEN SENSOR			001	0	0
2	15522-Z45-000	GROMMET, TEMPERATURE SENSOR			001	0	0
3	19611-Z45-405	COVER, FAN			001	0	0
4	19613-Z45-000	SEAL, FAN COVER			001	0	0
5	19619-Z45-300	COLLAR, FAN COVER			005	0	0
6	19630-Z45-000	SHROUD ASSY., R.			001	0	0
7	19636-Z45-000	SEAL A, SHROUD UPPER			001	0	0
8	19637-Z45-000	SEAL B, SHROUD UPPER			001	0	0
9	19640-Z45-000	SHROUD ASSY., L.			001	0	0
10	19646-Z45-000	SEAL, L. SHROUD			001	0	0
11	19653-Z45-000	INSULATOR, R. SHROUD			001	0	0
12	19657-Z45-000	INSULATOR, L. SHROUD			001	0	0
13	32114-Z45-000	BRACKET, HARNESS CLIP			001	0	0
14	63713-Z45-000	RUBBER, OIL CHECK			001	0	0
15	90016-ZE8-000	BOLT, FLANGE, 6X45 (CT200)			001	0	0
16	90121-952-000	BOLT, FLANGE, 6X25 (CT200)			005	0	0
17	90659-Z35-000	CLAMP, CASE			002	0	0
18	90686-Z45-300	CLIP, INSULATOR BIND			011	0	0
19	94252-16100	PIN, LOCK, 16MM			001	0	0

EU32I

F-13 THROTTLE BODY

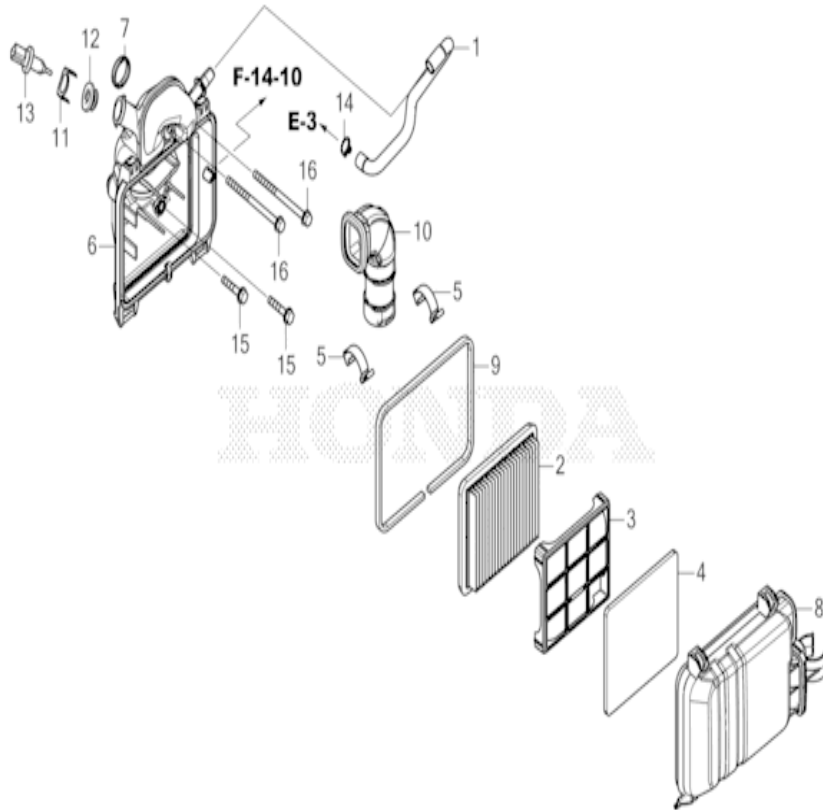


Z453F1300

Refnr	Part Number	Description	from	to	Unit Qty.	Order Qty.	Repair Qty.
1	16210-ZDY-000	INSULATOR COMP., THROTTLE BODY			001	0	0
2	16212-ZDY-003	GASKET, INSULATOR			001	0	0
3	16221-ZDY-003	GASKET, THROTTLE BODY			001	0	0
4	16400-ZDY-003	THROTTLE BODY ASSY. (BL80A A)			001	0	0
5	16422-ZDY-003	JOINT, INJECTOR			001	0	0
6	16450-K80-H01	INJECTOR ASSY., FUEL			001	0	0
7	16472-KPC-D50	RING, SEAL			001	0	0
8	36160-ZDY-003	MOTOR ASSY., THROTTLE CONTROL			001	0	0
9	36161-ZL0-D31	LEVER, LINK			001	0	0
10	36162-ZL0-D31	SPRING, COMPRESSION COIL			001	0	0
11	36165-ZF6-F41	MOTOR COMP., THROTTLE CONTROL			001	0	0
12	36166-ZDY-003	BRACKET, THROTTLE MOTOR			001	0	0
13	36168-Z39-C90	COVER, THROTTLE MOTOR			001	0	0
14	37830-6Y0-J01	SENSOR ASSY., MAP			001	0	0
15	37833-ZDY-000	TUBE, MAP SENSOR			001	0	0
16	37835-PGK-A01	O-RING			001	0	0
17	90001-ZDY-003	SCREW, SHOULDER,			001	0	0
18	90003-ZL0-D30	SCREW-WASHER, 3X8			002	0	0
19	90004-GHB-640	BOLT, FLANGE, 6X18 (NSHF)			002	0	0
20	91301-KZL-931	O-RING, 6.3X2.2			001	0	0
21	93891-05020-08	SCREW-WASHER, 5X20			001	0	0
22	93893-04010-18	SCREW-WASHER, 4X10			003	0	0

EU32I

F-14 AIR CLEANER

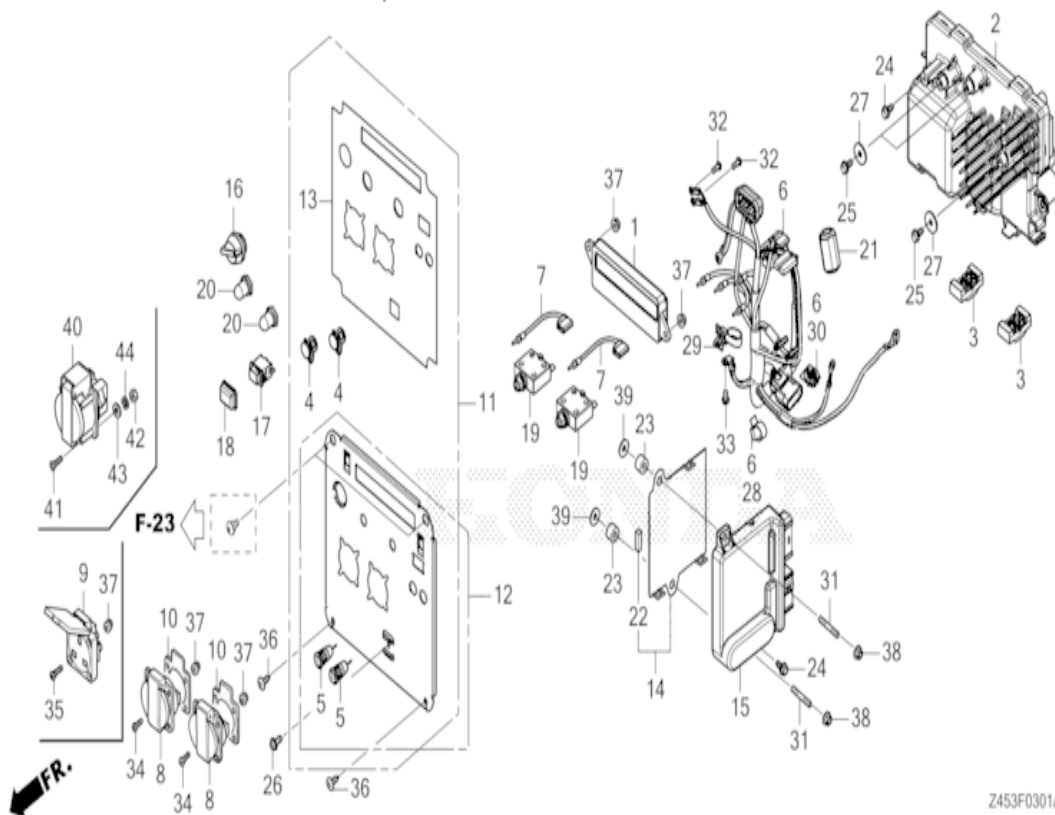


Z453F1400

Refnr	Part Number	Description	from	to	Unit Qty.	Order Qty.	Repair Qty.
1	15721-Z45-000	TUBE, BREATHER			001	0	0
2	17211-ZS9-A02	ELEMENT, AIR CLEANER			001	0	0
3	17212-Z2A-010	GRID, AIR CLEANER			001	0	0
4	17218-Z45-000	FILTER, OUTER			001	0	0
5	17219-Z45-300	CLIP, AIR CLEANER			002	0	0
6	17220-Z45-000	CASE COMP., AIR CLEANER			001	0	0
7	17228-Z45-000	O-RING, AIR CLEANER			001	0	0
8	17230-Z45-000	COVER COMP., AIR CLEANER			001	0	0
9	17233-Z45-000	SEAL, AIR CLEANER CASE COVER			001	0	0
10	17251-Z45-000	TUBE, AIR CLEANER			001	0	0
11	18342-YM2-000	CLIP, TEMPERATURE SENSOR SETTING			001	0	0
12	18343-YM2-000	GROMMET, TEMPERATURE SENSOR			001	0	0
13	35673-YR2-003	SENSOR ASSY., TEMPERATURE			001	0	0
14	90661-GHB-610	CLAMP B, TUBE, 12.5MM			001	0	0
15	95701-06032-08	BOLT, FLANGE, 6X32			002	0	0
16	95801-06090-08	BOLT, FLANGE, 6X90			002	0	0

EU32I

F-3-1 CONTROL PANEL (2)

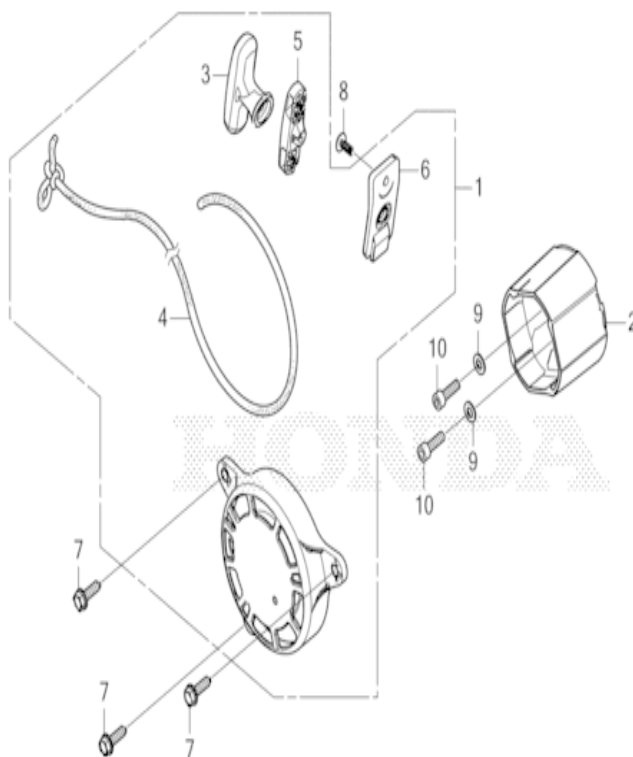


Z453F0301A

Refnr	Part Number	Description	from	to	Unit Qty.	Order Qty.	Repair Qty.
1	06371-Z45-000	INDICATOR UNIT KIT (BLUETOOTH)			001	0	0
2	31310-Z45-A61	INVERTER UNIT COMP.		1022951	001	0	0
2	31310-Z45-A62	INVERTER UNIT COMP.	1022952		001	0	0
3	31312-Z45-000	RUBBER, INVERTER			002	0	0
4	32138-Z07-E60	COVER, SOCKET			002	0	0
5	32139-Z07-C00	SOCKET, COMPOSITE			002	0	0
6	32150-Z45-A60	HARNESS ASSY., CONTROL WIRE			001	0	0
7	32221-Z45-A60	CORD, TERMINAL			002	0	0
8	32331-Z07-D51	RECEPTACLE (10/16A-250V)			002	0	0
10	32335-875-610	PACKING, RECEPTACLE			002	0	0
11	32345-Z45-A60	PANEL COMP., CONTROL			001	0	0
13	32366-Z45-A60	MARK, CONTROL PANEL			001	0	0
14	34740-Z45-000	COVER COMP., ELECTRONIC CONTROL UNIT			001	0	0
15	34750-Z45-A31	CONTROL UNIT, ELECTRONIC			001	0	0
16	35120-Z45-A31	SWITCH ASSY., ENGINE STOP			001	0	0
17	35340-Z45-003	SWITCH COMP., IDLE CONTROL			001	0	0
18	35341-Z45-000	CAP, IDLE CONTROL SWITCH			001	0	0
19	38240-Z45-A60	PROTECTOR, CIRCUIT (16A) (BLACK)			002	0	0
20	38242-Z25-A62	COVER COMP., CIRCUIT PROTECTOR			002	0	0
21	38398-Z45-A30	FILTER, SUB NOISE			001	0	0
22	63158-Z45-000	SEAL A, L. SIDE PANEL			001	0	0
23	63512-Z45-000	COLLAR, FR. PANEL			002	0	0
24	90002-892-000	BOLT, FLANGE, 5X10			002	0	0
25	90101-P4V-010	BOLT, FLANGE, 5X12			003	0	0
26	90102-Z21-000	SCREW, PAN, 5X12			001	0	0
27	90581-342-000	WASHER, 20MM			003	0	0
28	90651-MA6-720	BAND, WIRE HARNESS			001	0	0
29	90676-SA8-003	BAND, WIRE HARNESS, 150MM (BLUE)			001	0	0
30	91535-TA0-003	CLIP, COUPLER (DARK BROWN)			001	0	0

EU32I

F-9 RECOIL STARTER



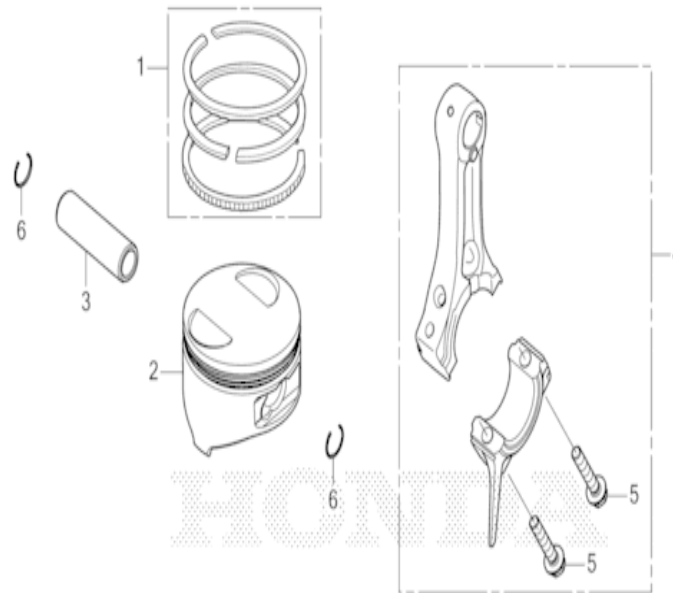
Z453F0900

Refnr	Part Number	Description	from	to	Unit Qty.	Order Qty.	Repair Qty.
1	28400-Z45-003	STARTER ASSY., RECOIL			001	0	0
2	28451-Z45-003	PULLEY, RECOIL STARTER			001	0	0
3	28461-Z45-003	GRIP, STARTER			001	0	0
4	28462-Z45-003	ROPE, RECOIL STARTER			001	0	0
5	28464-Z45-003	COVER, GRIP			001	0	0
6	28475-Z45-003	GUIDE COMP., STARTER ROPE			001	0	0
7	90022-888-010	BOLT, FLANGE, 6X20 (CT200)			003	0	0
8	93913-25380	SCREW, TAPPING, 5X14 (PO)			001	0	0
9	94101-06800	WASHER, PLAIN, 6MM			002	0	0
10	96600-06020-08	BOLT, SOCKET, 6X20			002	0	0

31	92900-05025-0B	BOLT, STUD, 5X25	002	0	0
32	93500-03008-3J	SCREW, PAN, 3X8	002	0	0
33	93500-05008-3J	SCREW, PAN, 5X8	001	0	0
34	93600-04012-1G	SCREW, FLAT, 4X12	008	0	0
36	93913-25480	SCREW, TAPPING, 5X16 (PO)	002	0	0
37	94050-04000	NUT, FLANGE, 4MM	010	0	0
38	94050-05080	NUT, FLANGE, 5MM	002	0	0
39	94103-05800	WASHER, PLAIN, 5MM	002	0	0

EU32I

E-8 PISTON/CONNECTING ROD

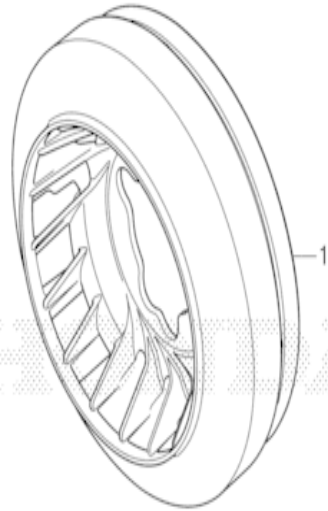


Z453E0800

Refnr	Part Number	Description	from	to	Unit Qty.	Order Qty.	Repair Qty.
1	13010-ZDY-003	RING SET, PISTON			001	0	0
2	13101-ZDY-000	PISTON			001	0	0
3	13111-ZDY-000	PIN, PISTON			001	0	0
4	13200-ZDY-000	ROD ASSY., CONNECTING			001	0	0
5	90001-ZDJ-000	BOLT, CONNECTING ROD, 6X32			002	0	0
6	90551-ZE0-000	CLIP, PISTON PIN, 13MM			002	0	0

EU32I

F-21-10 COOLING FAN



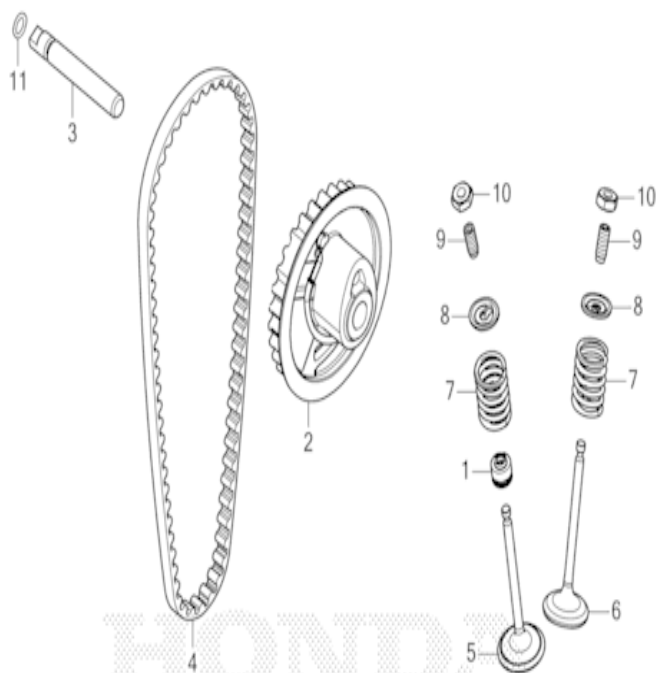
FR.

Z453F2110

<u>Refnr</u>	<u>Part Number</u>	<u>Description</u>	<u>from</u>	<u>to</u>	<u>Unit Qty.</u>	<u>Order Qty.</u>	<u>Repair Qty.</u>
1	19511-Z45-000	FAN, COOLING			001	0	0

EU32I

E-10 CAMSHAFT PULLEY

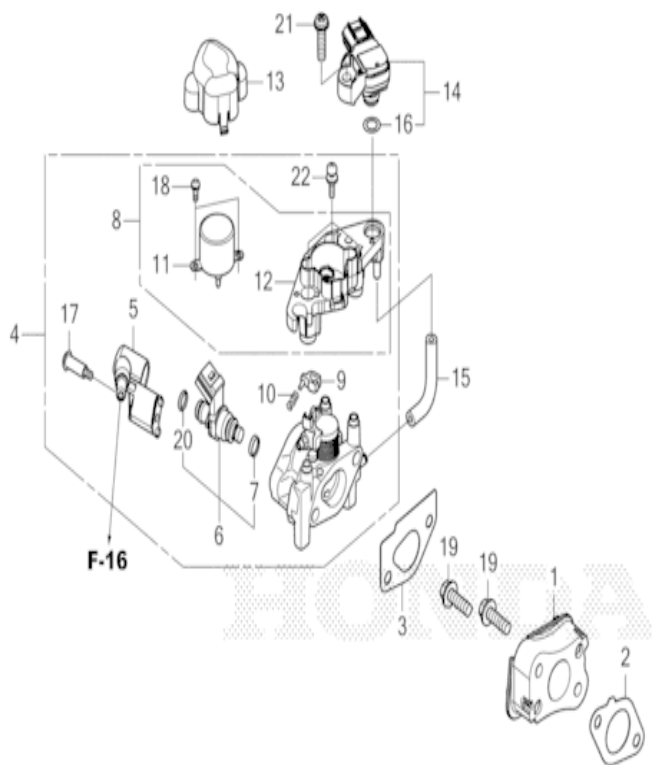


Z453E1000

Refnr	Part Number	Description	from	to	Unit Qty.	Order Qty.	Repair Qty.
1	12209-KT7-013	SEAL, VALVE STEM			001	0	0
2	14320-ZDY-000	PULLEY COMP, CAMSHAFT			001	0	0
3	14324-ZDY-000	SHAFT, CAM PULLEY			001	0	0
4	14400-ZDY-003	BELT, TIMING (67YU7 G-200)			001	0	0
5	14711-ZDY-000	VALVE, IN.			001	0	0
6	14721-ZDY-000	VALVE, EX.			001	0	0
7	14751-ZDY-000	SPRING, VALVE			002	0	0
8	14771-ZDF-000	RETAINER, VALVE SPRING			002	0	0
9	90017-ZDY-000	SCREW, TAPPET ADJUSTING			002	0	0
10	90206-001-000	NUT, TAPPET ADJUSTING			002	0	0
11	91301-ZM0-V31	O-RING, 6.8X1.9 (ARAI)			001	0	0

EU32I

F-13 THROTTLE BODY

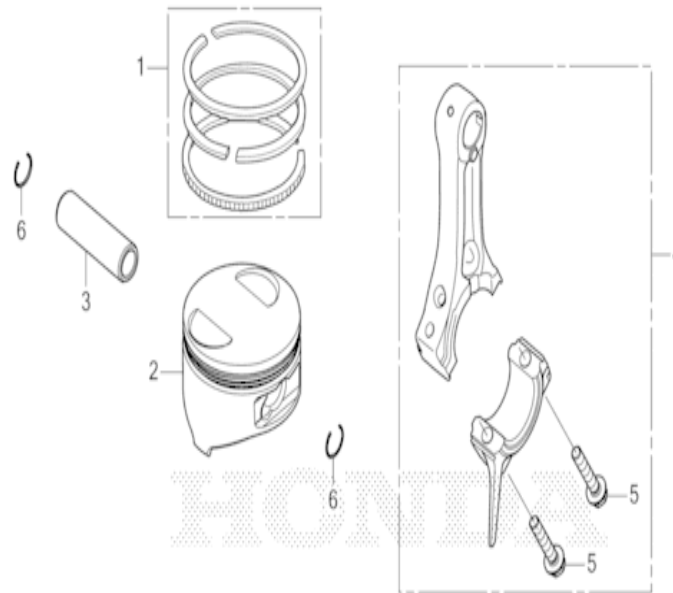


Z453F1300

Refnr	Part Number	Description	from	to	Unit Qty.	Order Qty.	Repair Qty.
1	16210-ZDY-000	INSULATOR COMP., THROTTLE BODY			001	0	0
2	16212-ZDY-003	GASKET, INSULATOR			001	0	0
3	16221-ZDY-003	GASKET, THROTTLE BODY			001	0	0
4	16400-ZDY-003	THROTTLE BODY ASSY. (BL80A A)			001	0	0
5	16422-ZDY-003	JOINT, INJECTOR			001	0	0
6	16450-K80-H01	INJECTOR ASSY., FUEL			001	0	0
7	16472-KPC-D50	RING, SEAL			001	0	0
8	36160-ZDY-003	MOTOR ASSY., THROTTLE CONTROL			001	0	0
9	36161-ZL0-D31	LEVER, LINK			001	0	0
10	36162-ZL0-D31	SPRING, COMPRESSION COIL			001	0	0
11	36165-ZF6-F41	MOTOR COMP., THROTTLE CONTROL			001	0	0
12	36166-ZDY-003	BRACKET, THROTTLE MOTOR			001	0	0
13	36168-Z39-C90	COVER, THROTTLE MOTOR			001	0	0
14	37830-6Y0-J01	SENSOR ASSY., MAP			001	0	0
15	37833-ZDY-000	TUBE, MAP SENSOR			001	0	0
16	37835-PGK-A01	O-RING			001	0	0
17	90001-ZDY-003	SCREW, SHOULDER,			001	0	0
18	90003-ZL0-D30	SCREW-WASHER, 3X8			002	0	0
19	90004-GHB-640	BOLT, FLANGE, 6X18 (NSHF)			002	0	0
20	91301-KZL-931	O-RING, 6.3X2.2			001	0	0
21	93891-05020-08	SCREW-WASHER, 5X20			001	0	0
22	93893-04010-18	SCREW-WASHER, 4X10			003	0	0

EU32I

E-8 PISTON/CONNECTING ROD

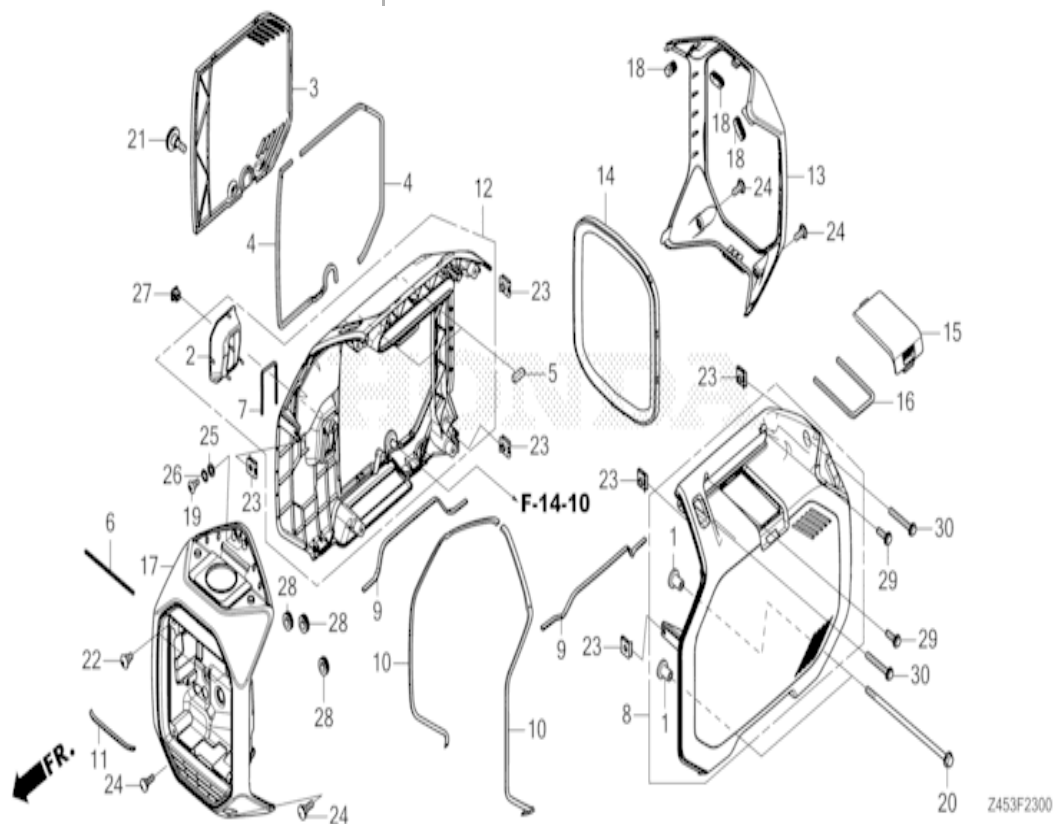


Z453E0800

Refnr	Part Number	Description	from	to	Unit Qty.	Order Qty.	Repair Qty.
1	13010-ZDY-003	RING SET, PISTON			001	0	0
2	13101-ZDY-000	PISTON			001	0	0
3	13111-ZDY-000	PIN, PISTON			001	0	0
4	13200-ZDY-000	ROD ASSY., CONNECTING			001	0	0
5	90001-ZDJ-000	BOLT, CONNECTING ROD, 6X32			002	0	0
6	90551-ZE0-000	CLIP, PISTON PIN, 13MM			002	0	0

EU32I

F-23 FRONT PANEL/SIDE PANEL/REAR COVER

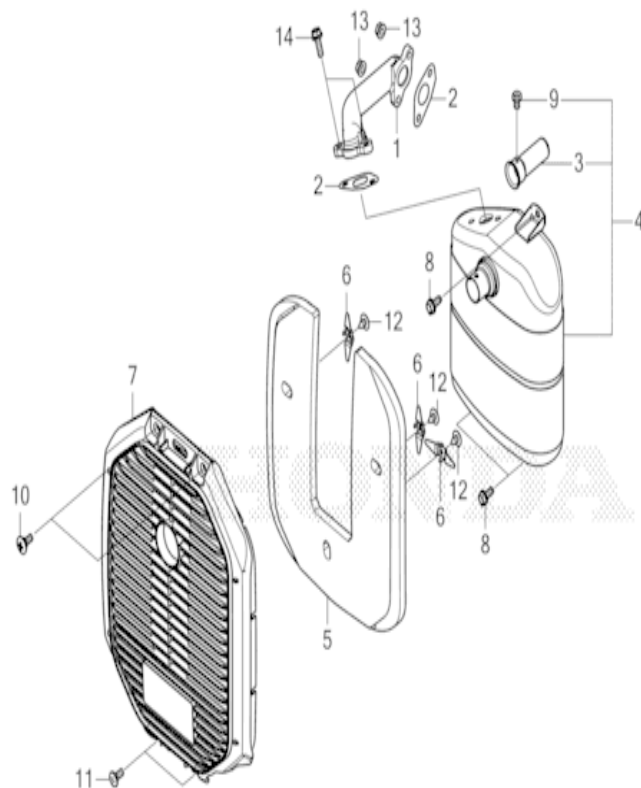


Refnr	Part Number	Description	from	to	Unit Qty.	Order Qty.	Repair Qty.
1	19619-Z45-300	COLLAR, FAN COVER			002	0	0
2	28477-Z45-000	PROTECTOR, STARTER ROPE			001	0	0
3	63151-Z45-000ZA	PANEL, MAINTENANCE *NHC39R* (NHC39R TOURMALINE BLACK R)			001	0	0
4	63153-Z45-000	SEAL, MAINTENANCE PANEL			002	0	0
5	63158-Z45-000	SEAL A, L. SIDE PANEL			002	0	0
6	63159-Z45-000	SEAL C, FR. PANEL			001	0	0
7	63162-Z45-000	SEAL B, L. SIDE PANEL			001	0	0
8	63250-Z45-000ZA	PANEL COMP., R. SIDE *NHC39R* (NHC39R TOURMALINE BLACK R)			001	0	0
9	63252-Z45-000	SEAL, SIDE PANEL			002	0	0
10	63253-Z45-000	SEAL A, FR. PANEL			002	0	0
11	63254-Z45-000	SEAL B, FR. PANEL			001	0	0
12	63260-Z45-000ZA	PANEL COMP., L. SIDE *NHC39R* (NHC39R TOURMALINE BLACK R)			001	0	0
13	63311-Z45-000ZB	COVER, RR. *R280* (R280 POWER RED)			001	0	0
14	63318-Z45-000	SEAL RUBBER, RR. PANEL			001	0	0
15	63340-Z45-000ZA	LID COMP., PLUG CHECK *NHC39R* (NHC39R TOURMALINE BLACK R)			001	0	0
16	63348-Z45-000	SEAL, PLUG CHECK LID			001	0	0
17	63510-Z45-000ZB	PANEL COMP., FR. *R280* (R280 POWER RED)			001	0	0
18	83601-MB0-000	GROMMET A, SIDE COVER			003	0	0
19	90101-K90-VC0	SCREW, SPECIAL PAN, 5MM			002	0	0
20	90101-Z45-000	BOLT, FLANGE, 6X164			002	0	0
21	90102-Z07-003	SCREW, SPECIAL, 6X16			001	0	0
22	90102-Z45-000	SCREW, TRUSS, 6X15 (TORX)			002	0	0
23	90320-747-000	NUT, SPRING, 6MM			006	0	0
24	90380-GM9-740	SCREW, SPECIAL, 6X15			004	0	0
25	90501-961-300	WASHER, 7X12			002	0	0
26	90552-VP9-003	WASHER, WAVE, 7MM			002	0	0

27	90652-SA5-670	GROMMET, SCREW, 6MM	001	0	0
28	91652-Z45-000	GROMMET, FR. PANEL	003	0	0
29	93891-06020-07	SCREW-WASHER, 6X20	002	0	0
30	93891-06045-07	SCREW-WASHER, 6X45	002	0	0

EU32I

F-15 MUFFLER

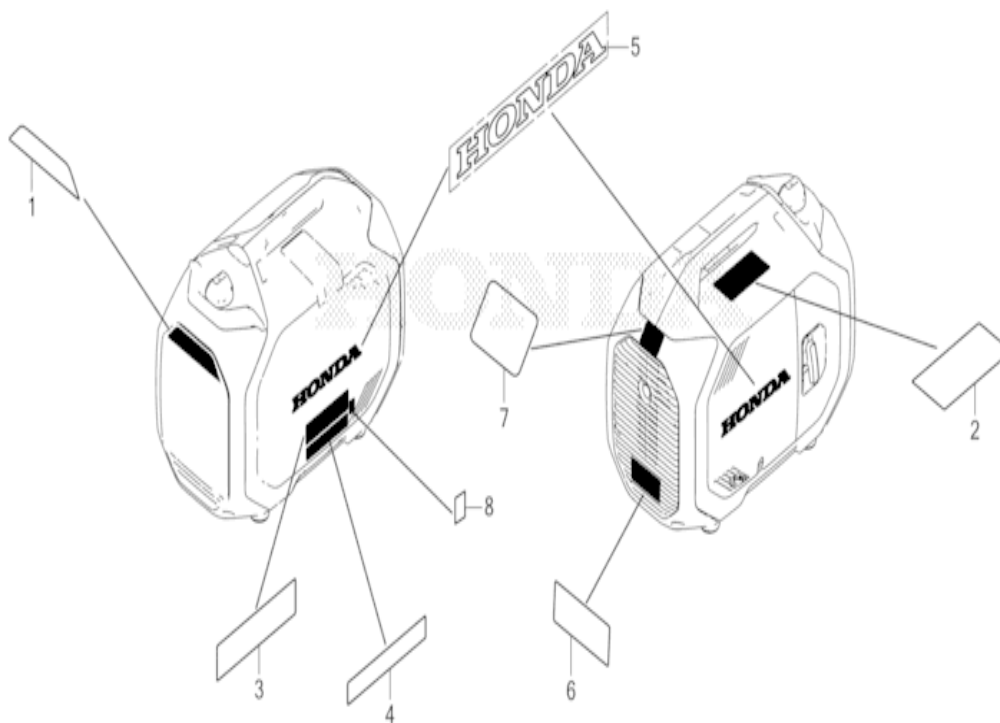


Z453F1500

Refnr	Part Number	Description	from	to	Unit Qty.	Order Qty.	Repair Qty.
1	18331-Z45-000	PIPE, EX.			001	0	0
2	18333-Z45-003	GASKET, EX. PIPE			002	0	0
3	18355-Z45-000	ARRESTER, SPARK			001	0	0
4	18700-Z45-010	MUFFLER ASSY.			001	0	0
5	19652-Z45-000	INSULATOR, MUFFLER PROTECTOR			001	0	0
6	19656-Z25-R50	CLIP, INSULATOR			003	0	0
7	63312-Z45-000ZA	PROTECTOR, MUFFLER *NH1* (NH1 BLACK)			001	0	0
8	90014-952-000	BOLT, FLANGE, 6X14 (CT200)			003	0	0
9	90055-ZE1-000	SCREW, TAPPING, 4X6			001	0	0
10	90164-V02-000	SCREW, SPECIAL, 6MM			002	0	0
11	90380-GM9-740	SCREW, SPECIAL, 6X15			002	0	0
12	93913-25110	SCREW, TAPPING, 5X10 (PO)			003	0	0
13	94050-06080	NUT, FLANGE, 6MM			002	0	0
14	95701-06018-08	BOLT, FLANGE, 6X18			002	0	0

EU32I

F-31 LABEL

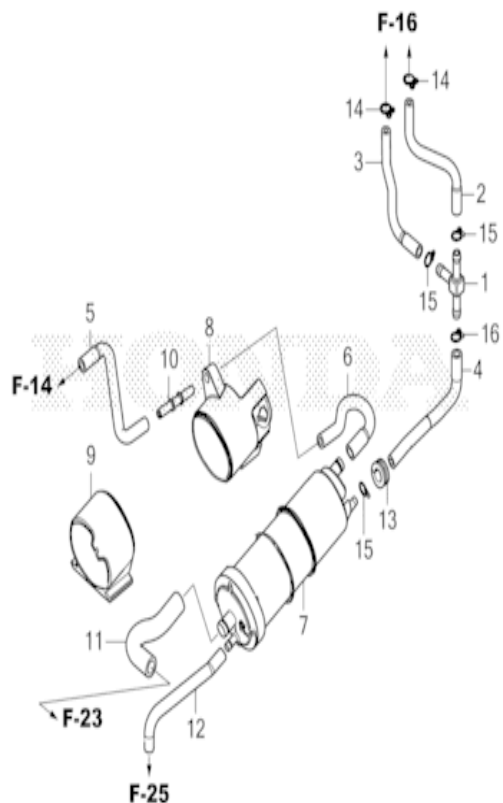


Z453F3100

Refnr	Part Number	Description	from	to	Unit Qty.	Order Qty.	Repair Qty.
1	87101-Z45-A60	MARK, EMBLEM			001	0	0
2	87123-Z45-A60	LABEL, FUEL WARNING			001	0	0
4	87516-Z45-A60	LABEL, OPERATOR WARNING			001	0	0
5	87531-Z45-000	MARK, HONDA			002	0	0
6	87539-Z45-A60	LABEL, EX. CAUTION			001	0	0
7	87542-Z45-000	MARK, EX. CAUTION			001	0	0
8	87709-Z07-S50	MARK, RECYCLE			001	0	0

EU32I

F-14-10 CANISTER



Z453F1410

Refnr	Part Number	Description	from	to	Unit Qty.	Order Qty.	Repair Qty.
1	16960-ME9-000	PIPE, THREE WAY JOINT			001	0	0
2	17303-Z45-000	TUBE A, CANISTER CHARGE			001	0	0
3	17304-Z45-000	TUBE B, CANISTER CHARGE			001	0	0
4	17306-Z45-000	TUBE C, CANISTER CHARGE			001	0	0
5	17308-Z45-000	TUBE A, CANISTER PURGE			001	0	0
6	17309-Z45-000	TUBE B, CANISTER PURGE			001	0	0
7	17310-Z45-A32	CANISTER COMP.			001	0	0
8	17311-Z45-000	RUBBER A, CANISTER			001	0	0
9	17312-Z45-000	RUBBER B, CANISTER			001	0	0
10	17313-Z45-000	JOINT, TUBE			001	0	0
11	17322-Z45-000	TUBE, CANISTER AIR			001	0	0
12	17323-Z45-000	TUBE, CANISTER DRAIN			001	0	0
13	18357-MKH-D00	RUBBER, TUBE MOUNT			001	0	0
14	95002-02070	CLIP, TUBE (B7)			002	0	0
15	95002-02080	CLIP, TUBE (B8)			003	0	0
16	95002-50000	CLIP, TUBE (C9)			001	0	0